

SEAFLO[®]

IN-LINE BLOWER

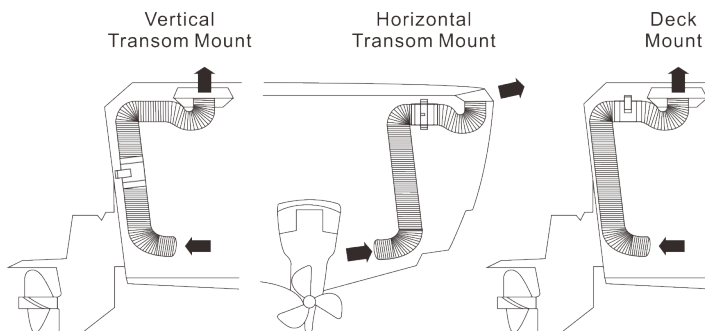
INSTALLATION AND OPERATING INSTRUCTIONS

PRODUCT FEATURE

- SEAFLO In-Line Blower is mainly designed to provide ventilation for bilges, engine compartments, galleys and heads.
- Designed for efficient, high output operation, these blowers feature our exclusive front and rear shaft seals and corrosion resistant ABS housing for long life.
- Designed for easily installed on any flat surface. Computer optimized blade profile and housing design produce higher air flow, low amp draw and quieter operation than standard blowers.

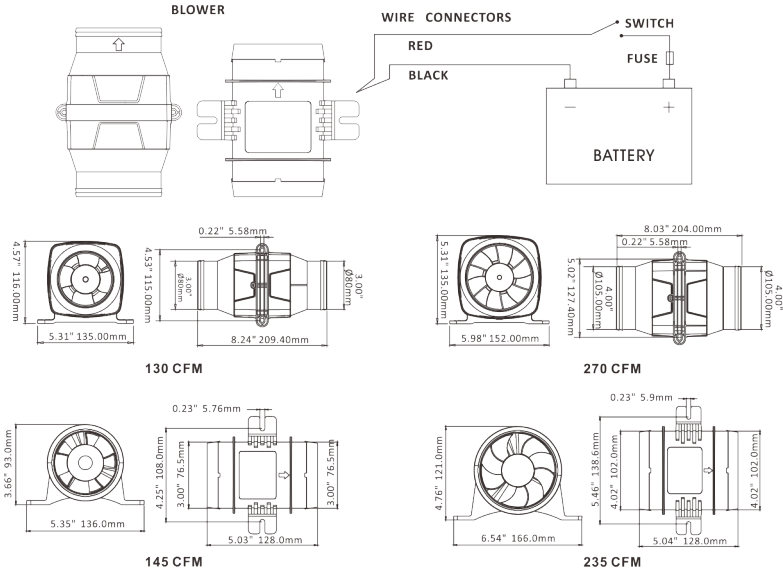
INSTALLATION

1. The blower must be used with a natural ventilation system that is open to the atmosphere.
2. Mount the blower in the upper portion of the bilges, engine compartments, galleys and heads with two no.10 screws. Secure blower in place taking care not to over tighten screws or penetrate the hull.
3. Position blower with flow arrow towards exhaust vent. (be sure to determine the correct direction of airflow before mounting) The in-line blower may be mounted on an angle to assure drainage from rainwater.
4. Connect (01/03 series are 3 inches and 02/04 series are 4 inches) diameter inlet and exhaust duct with stainless steel hose clamp.
5. The duct inlet opening should be permanently fixed and located above the normal bilge level and as practicable beneath the engine which it serves.



WIRING INSTRUCTIONS

1. Connect the positive (+) red wire and negative (-) black wire crimp type connectors. Waterproof the connectors with sealant.
2. The bilge blower wires must be protected with the same fuse amp (please see the ventilation parameter) installed in the positive (+) line.
3. An on-off switch with the same fuse amp rating should be installed in the positive line.
4. Minimum lead wire size should be 16 AWG (gauge).



OPERATING

- Gasoline vapors can explode.
- Do not operate blower while refueling.
- To prevent personal injury, always disconnect one of the main battery leads when installing or servicing this product.
- Always use a fuse with amperage rating specified for the blower model. Failure to do so may result in serious personal injury or fire hazard.



BEFORE STARTING ENGINE

1. Check engine compartment for gasoline or vapors.
2. Operate blower at least five minutes.

SPECIFICATIONS

Model	Voltage (v)	Air Flow (CFM)	Amp Draw (A)	Fuse (A)	Intake Pipe Dia(mm)
SFIB1-130-01	12	130.0	2.5	5.0	3"/80
SFIB2-130-01	24	130.0	1.3	3.0	3"/80
SFIB1-270-02	12	270.0	6.0	10.0	4"/105
SFIB2-270-02	24	270.0	3.0	5.0	4"/105
SFIB1-145-03	12	145.0	3.0	5.0	3"/76
SFIB2-145-03	24	145.0	1.5	2.5	3"/76
SFIB1-235-04	12	235.0	4.0	7.0	4"/102
SFIB2-235-04	24	235.0	2.0	4.0	4"/102